

VESR9xx

Vlinx™ Industrial Ethernet Serial Servers

PRODUCT INFORMATION

- ✓ Ethernet Enable Serial Devices
- ✓ Direct IP, Virtual COM Port, or Paired Mode
- ✓ Ethernet Pass-through Port Available
- ✓ Ethernet Fiber Options
- ✓ Serial MEI Ports



Take control of your serial devices with VLINX™ VESR 9xx Industrial Ethernet Serial Servers. If it has a Serial Port, it can be monitored and controlled from anywhere on your Ethernet LAN or WAN. Keep it at maximum productivity without leaving your office. Even troubleshoot it from outside your LAN via the Internet. The easy to use Vlinx™ Manager software puts access to your whole shop on your desk. Configure devices, upgrade firmware and monitor activity. Configuration changes can also be made using a web browser or TELNET.

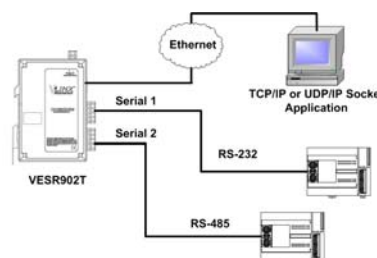
Multiple fiber optic options make integration into any existing network quick. No need to purchase an extra media converter when you can choose from Multi-mode SC / ST, 15km Single-mode SC/ST, 40 km Single-mode SC/ST, or 80 km Single-mode SC/ST.

VESR92x series servers also feature an additional copper RJ45 port that allows you to connect another Ethernet device or PC work-station. This Pass-through port functions much like an unmanaged switch.

Heartbeat connectivity keeps the serial server on-line. If connectivity is lost it will attempt to reconnect every five seconds until a connection is regained. A manual reboot is not required when communications are restored.

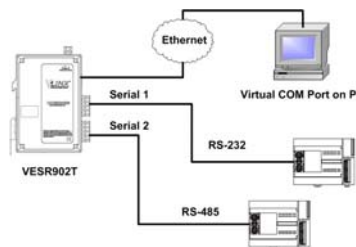
Direct IP Mode

TCP/IP or UDP/IP socket applications communicate directly with serial devices



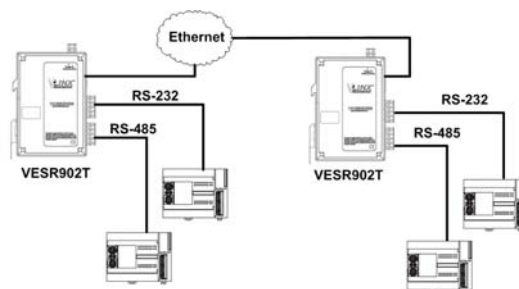
Virtual COM Mode

Communicate with serial devices through your network as if they were connected to a physical COM port.



Paired Mode

Serial devices communicate with each other by tunneling through your network.



B&B ELECTRONICS

Specifications

Serial Technology

RS-232	TD, RD, RTS, CTS, DTR, DSR, DTD, GND
RS-485 2-Wire	Data A(-), Data B(+), GND
RS-422/485 4-Wire	TDA(-), TDB(+), RDA(-), RDB(+), GND
Serial Connector	DB9M or Removable Terminal Blocks
Data Rate	Up to 230.4 Kbps

Fiber Optic Technology

VESR9xx-Mx

Type / Wavelength	Multi-mode / 1310 nm
Output Power	(-)19 to (-) 14 dBm
Receive Sensitivity	~ (-) 32 dBm
Cable	62.5 / 125 µm
Connector	SC or ST
Range	1.2 miles (2 km)

VESR9xx-Sx

Type / Wavelength	Single-mode / 1310 nm
Output Power	(-) 15 to (-) 8 dBm
Receive Sensitivity	~ (-) 32 dBm
Cable	9 / 125 µm
Connector	SC or ST
Range	9.3 miles (15 km)

VESR9xx-Sx40

Type / Wavelength	Single-mode / 1310 nm
Output Power	(-) 5 to 0 dBm
Receive Sensitivity	~ (-) 34 dBm
Cable	9 / 125 µm
Connector	SC or ST
Range	25 miles (40 km)

VESR9xx-Sx80

Type / Wavelength	Single-mode / 1510 nm
Output Power	(-) 5 to 0 dBm
Receive Sensitivity	~ (-) 34 dBm
Cable	9 / 125 µm
Connector	SC or ST
Range	49.7 miles (80 km)

Power

Source	External
Input Voltage	10 to 48 VDC (58 VDC Maximum)
Connector	Removable Terminal Block (12 – 28 AWG)

Power Consumption

VESR90x	4.0 Watts
VESR92x	6.0 Watts

Mechanical

LED Indicators	Serial Port, Ethernet Link, Ready
Switches	Reset Button
Dimensions	VESR90x-1.2x3.2x4.7in (3.0x8.1x11.9cm) VESR92x-1.2x4.0x5.9in (3.0x10.2x15.0cm)
Enclosure	35mm DIN mount, Plastic, IP 30
Weight	VESR90x – 0.33 lbs (149.7 g) VESR92x – 0.45 lbs (204.1 g)

Environmental

Operating Temp	-34 to 80°C (-29 to 176° F)
Operating Humidity	10 to 95% Non-condensing
MTBF VESR90x	~ 132309 hours
MTBF VESR92x	~ 102593 hours
MTBF Calc Method	Parts Count Reliability Prediction

Network

Serial Memory	8 KB per port
Network Memory	4 KB
IP Port Addresses	5300 – Heartbeat and configuration Setting in TCP Mode (paired mode) 8888 – VESR 9xx Update

Network Communications

LAN	10/100 Mbps Auto-detecting 10BaseT or 100BaseTX
-----	----------------------------------------------------

Network Physical Layer Standards

Ethernet	IEEE 802.3 auto detecting & auto MDI/MDX 10BaseT and 100Base TX
----------	-----------------------------------------------------------------------

Protocols

	TCP, IPv4, UDP, ARP, Telnet, HTTP 1.0, ICMP/PING, DHCP/BOOTP
IP Mode	Static, DHCP
TCP	User definable

Other

Connection Mode	Server, Client, VCOM, Paired
Client Connection Search	At power up or upon data arrival Serial direct COM and Ethernet Auto Search or specific IP
Diagnostics	Display PC IP, ping, test VCOM, save test config (text readable)
Firmware Upgrade	Web GUI through Ethernet

Software

Vlix Manager	Supports Windows 2000, 2003 Server, XP, and Vista
--------------	------------------------------------------------------

Ethernet Pass-through Port (VESR92x)

Standards	IEEE 802.3, 802.3u, 802.3x
Processing Type	Store and Forward with 802.3x full duplex, non blocking flow control
Flow Control	IEEE 802.3x flow control, back pressure flow control
MAC Address Table	2K

Configuration Software

OS Compatibility	Windows 2000, 2003 Server XP, Vista
------------------	----------------------------------------

Regulatory / Certifications

Compliance	FCC, CE, NEMA TS2 UL Listed, File E222870
------------	----------------------------------------------

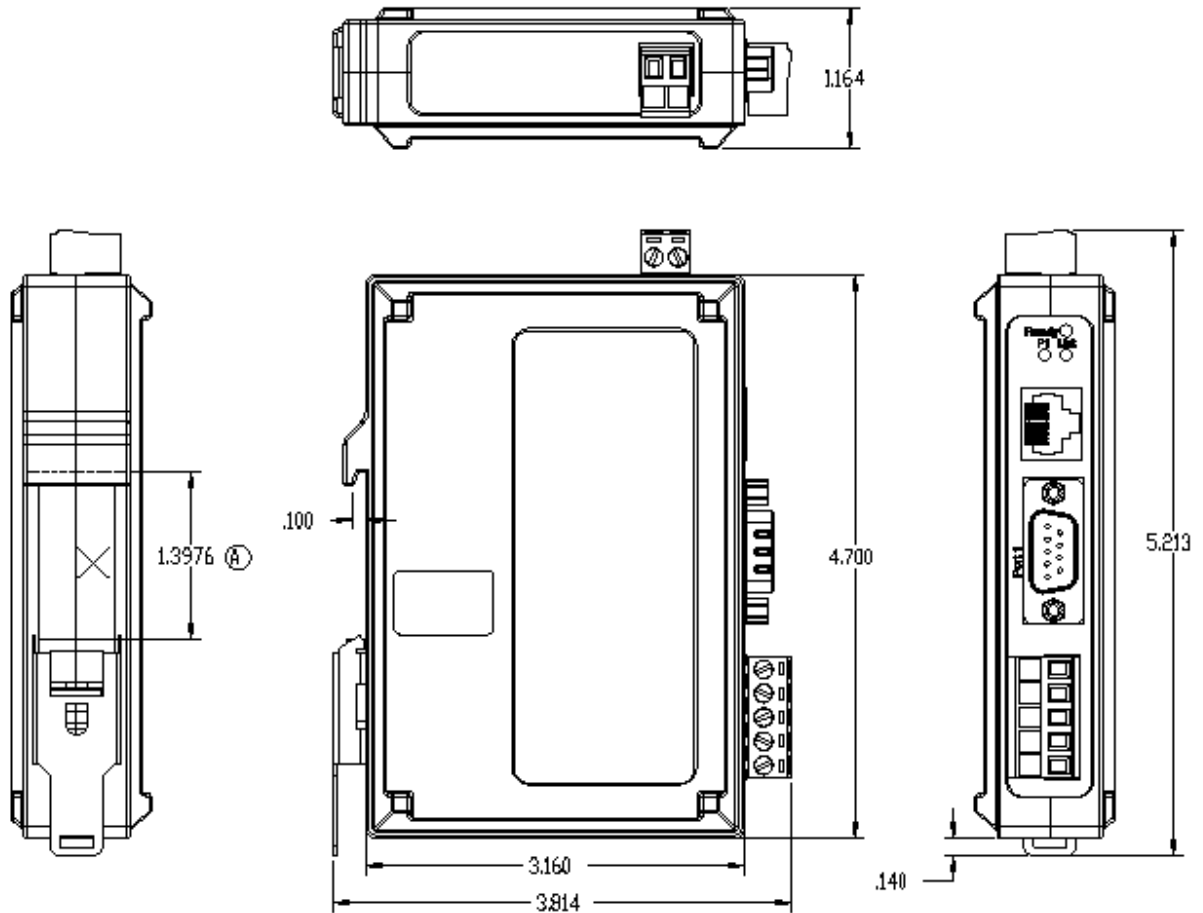
Ordering Information

Model Number	Serial Ports	Serial Connectors	Ethernet Media	Ethernet Connectors
VESR901	1	DB9 & TB	CAT 5	RJ45
VESR901-MC	1	DB9 & TB	Multi-mode Fiber	SC
VESR901-MT	1	DB9 & TB	Multi-mode Fiber	ST
VESR901-SC	1	DB9 & TB	Single Mode Fiber	SC
VESR901-SC40	1	DB9 & TB	Single Mode Fiber - 40 km	SC
VESR901-SC80	1	DB9 & TB	Single Mode Fiber - 80 km	SC
VESR901-ST	1	DB9 & TB	Single Mode Fiber	ST
VESR901-ST40	1	DB9 & TB	Single Mode Fiber - 40 km	ST
VESR901-ST80	1	DB9 & TB	Single Mode Fiber - 80 km	ST
VESR902D	2	DB9	CAT 5	RJ45
VESR902D-MC	2	DB9	Multi-mode Fiber	SC
VESR902D-MT	2	DB9	Multi-mode Fiber	ST
VESR902D-SC	2	DB9	Single Mode Fiber	SC
VESR902D-SC40	2	DB9	Single Mode Fiber - 40 km	SC
VESR902D-SC80	2	DB9	Single Mode Fiber - 80 km	SC
VESR902D-ST	2	DB9	Single Mode Fiber	ST
VESR902D-ST40	2	DB9	Single Mode Fiber - 40 km	ST
VESR902D-ST80	2	DB9	Single Mode Fiber - 80 km	ST
VESR902T	2	TB	CAT 5	RJ45
VESR902T-MC	2	TB	Multi-mode Fiber	SC
VESR902T-MT	2	TB	Multi-mode Fiber	ST
VESR902T-SC	2	TB	Single Mode Fiber	SC
VESR902T-SC40	2	TB	Single Mode Fiber - 40 km	SC
VESR902T-SC80	2	TB	Single Mode Fiber - 80 km	SC
VESR902T-ST	2	TB	Single Mode Fiber	ST
VESR902T-ST40	2	TB	Single Mode Fiber - 40 km	ST
VESR902T-ST80	2	TB	Single Mode Fiber - 80 km	ST
VESR921	1	DB9 & TB	CAT 5	Two RJ45
VESR921-MC	1	DB9 & TB	CAT 5, Multi-mode Fiber	One RJ45, One SC
VESR921-MT	1	DB9 & TB	CAT 5, Multi-mode Fiber	One RJ45, One ST
VESR921-SC	1	DB9 & TB	CAT 5, Single Mode Fiber	One RJ45, One SC
VESR921-SC40	1	DB9 & TB	CAT 5, Single Mode Fiber 40 km	One RJ45, One SC
VESR921-SC80	1	DB9 & TB	CAT 5, Single Mode Fiber 80 km	One RJ45, One SC
VESR921-ST	1	DB9 & TB	CAT 5, Single Mode Fiber	One RJ45, One ST
VESR921-ST40	1	DB9 & TB	CAT 5, Single Mode Fiber 40 km	One RJ45, One ST
VESR921-ST80	1	DB9 & TB	CAT 5, Single Mode Fiber 80 km	One RJ45, One ST
VESR922T	2	TB	CAT 5	Two RJ45
VESR922T-MC	2	TB	CAT 5, Multi-mode Fiber	One RJ45, One SC
VESR922T-MT	2	TB	CAT 5, Multi-mode Fiber	One RJ45, One ST
VESR922T-SC	2	TB	CAT 5, Single Mode Fiber	One RJ45, One SC
VESR922T-SC40	2	TB	CAT 5, Single Mode Fiber 40 km	One RJ45, One SC
VESR922T-SC80	2	TB	CAT 5, Single Mode Fiber 80 km	One RJ45, One SC
VESR922T-ST	2	TB	CAT 5, Single Mode Fiber	One RJ45, One ST
VESR922T-ST40	2	TB	CAT 5, Single Mode Fiber 40 km	One RJ45, One ST
VESR922T-ST80	2	TB	CAT 5, Single Mode Fiber 80 km	One RJ45, One ST

Accessory Items

Power Supply	MDR-40-24
Panel Mount Adapter	DRPM25

Mechanical Diagram – Units with one Ethernet Port



Ⓐ DESIGNED TO FIT ON A STANDARD 35mm DIN RAIL

Mechanical Diagram – Units with Two Ethernet Ports

