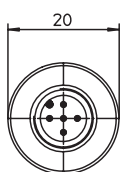
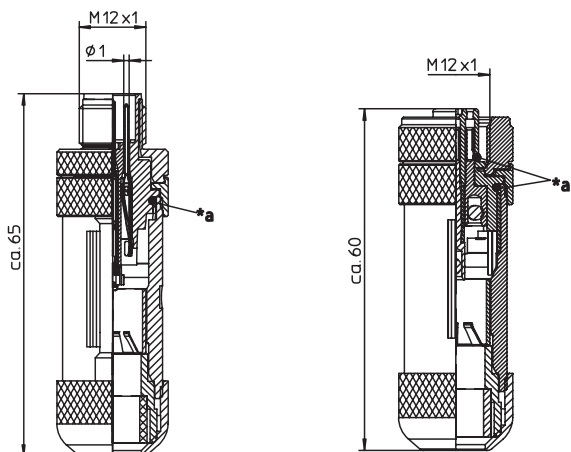
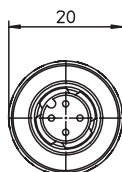


0976 PMC 101 / 0976 PFC 101

Profibus-DP field attachable, straight male and female 5-pole Micro (M12) connector, screw terminal connection, fully shielded.



*a O-ring



*a O-ring

Technical Data

Temperature range -25°C(-13°F) +90°C(+104°F)

Materials

Insert Polyamide, self-extinguishing
 Contact Brass, pre-copper plated
 2-4 µm tin plated
 Chassis plug housing Brass, nickeled
 Locking nut Brass, nickeled

Mechanical data

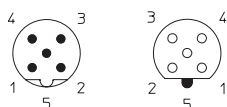
Protection IP67, NEMA 6P
 (fully locked position only)
 Connection type Screw terminals
 Wire section max. 0.75mm²

Electrical data

Nominal power 4A
 Nominal voltage 60 V
 Insulation C acc. to VDE 0110
 Test voltage 1.0kV eff./60's
 Insulation resistance >10⁹ Ω

Pin assignments

Connection Micro (M12), B Coding



Part numbers	Cable Diameter Range	
0976 PMC 101	Ø4.0 - 9.0 mm	
0976 PFC 101	Ø4.0 - 9.0 mm	